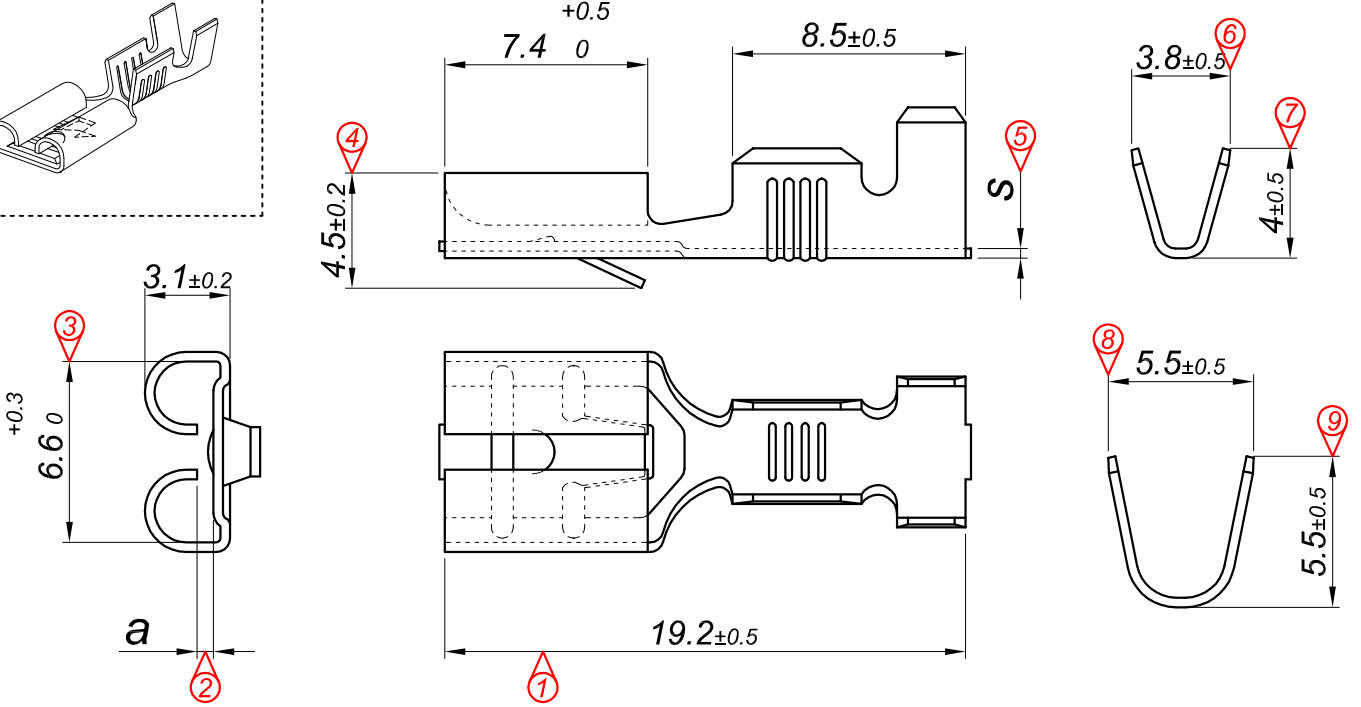
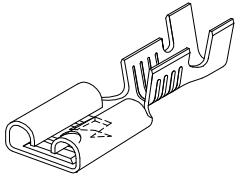
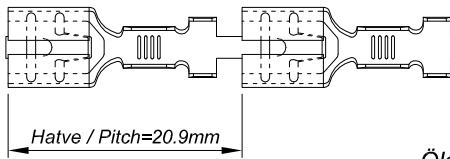


PARÇA KODU PART CODE	PARÇA ADI / PART NAME	ERKEK TERMINAL MALE TERMINAL	a ÖLÇÜSÜ (AYAR) a MEASURE (SET)	s ÖLÇÜSÜ (KALINLIK) s MEASURE (THICKNESS)	MALZEME / MATERIAL	KAPLAMA / COATING
MS 2114.80 DP	TIRNAKLI DIŞİ FİŞ 6.3 (0.80) =DP= (0.30 malzeme)	0.80	0.60±0.1	0.30±0.05	(CuZn36) Pirinç / Brass	—————
MS 2114.80 RP	TIRNAKLI DIŞİ FİŞ 6.3 (0.80) =RP= (0.30 malzeme)	0.80	0.60±0.1	0.30±0.05	(CuZn36) Pirinç / Brass	—————
MT 2114.80 DP	TIRNAKLI DIŞİ FİŞ 6.3 (0.80) =DP= (0.38 malzeme)	0.80	0.60±0.1	0.38±0.05	(CuZn36) Pirinç / Brass	—————
MT 2114.80 DPK	TIRNAKLI DIŞİ FİŞ 6.3 (0.80) =DPK= (0.38 malzeme)	0.80	0.60±0.1	0.38±0.05	(CuZn36) Pirinç / Brass	Kalay / Sn (3-5µ)
MT 2114.80 RP	TIRNAKLI DIŞİ FİŞ 6.3 (0.80) =RP= (0.38 malzeme)	0.80	0.60±0.1	0.38±0.05	(CuZn30) Pirinç / Brass	—————
MT 2114.80 RPK	TIRNAKLI DIŞİ FİŞ 6.3 (0.80) =RPK= (0.38 malzeme)	0.80	0.60±0.1	0.38±0.05	(CuZn30) Pirinç / Brass	Kalay / Sn (3-5µ)
MF 2114.80 RP	TIRNAKLI DIŞİ FİŞ 6.3 (0.80) =RP= (0.41 malzeme)	0.80	0.65±0.1	0.41±0.03/-0	(CuZn30) Pirinç / Brass	—————
MF 2114.80 RPK	TIRNAKLI DIŞİ FİŞ 6.3 (0.80) =RPK= (0.41 malzeme)	0.80	0.65±0.1	0.41±0.03/-0	(CuZn30) Pirinç / Brass	Kalay / Sn (3-5µ)
TD 2114.60 RFB	TIRNAKLI DIŞİ FİŞ 6.3 (0.60) =RFB=	0.60	0.40±0.1	0.35±0.05	(CuSn6) Fosfor Bronz / Phosphor Bronze	—————
TD 2114.60 RFBK	TIRNAKLI DIŞİ FİŞ 6.3 (0.60) =RFBK=	0.60	0.40±0.1	0.35±0.05	(CuSn6) Fosfor Bronz / Phosphor Bronze	Kalay / Sn (3-5µ)
TD 2114.70 RPK	TIRNAKLI DIŞİ FİŞ 6.3 (0.70) =RPK=	0.80	0.50±0.1	0.35±0.05	(CuZn30) Pirinç / Brass	Kalay / Sn (3-5µ)
TD 2114.80 DP	TIRNAKLI DIŞİ FİŞ 6.3 (0.80) =DP=	0.80	0.60±0.1	0.35±0.05	(CuZn36) Pirinç / Brass	—————
TD 2114.80 DP1	TIRNAKLI DIŞİ FİŞ 6.3 (0.80) =DP= (Yazısız)	0.80	0.60±0.1	0.35±0.05	(CuZn36) Pirinç / Brass	—————
TD 2114.80 DP2	TIRNAKLI DIŞİ FİŞ 6.3 (0.80) =DP2= (0.28 malzeme)	0.80	0.60±0.1	0.28±0.05	(CuZn36) Pirinç / Brass	—————
TD 2114.80 DPG	TIRNAKLI DIŞİ FİŞ 6.3 (0.80) =DPG=	0.80	0.60±0.1	0.35±0.05	(CuZn30) Pirinç / Brass	Gümüş / Ag (Min 1µ)
TD 2114.80 DPK	TIRNAKLI DIŞİ FİŞ 6.3 (0.80) =DPK=	0.80	0.60±0.1	0.35±0.05	(CuZn36) Pirinç / Brass	Kalay / Sn (3-5µ)
TD 2114.80 RFB	TIRNAKLI DIŞİ FİŞ 6.3 (0.80) =RFB=	0.80	0.60±0.1	0.35±0.05	(CuSn6) Fosfor Bronz / Phosphor Bronze	—————
TD 2114.80 RFBK	TIRNAKLI DIŞİ FİŞ 6.3 (0.80) =RFBK=	0.80	0.60±0.1	0.35±0.05	(CuSn6) Fosfor Bronz / Phosphor Bronze	Kalay / Sn (3-5µ)
TD 2114.80 RP	TIRNAKLI DIŞİ FİŞ 6.3 (0.80) =RP=	0.80	0.60±0.1	0.35±0.05	(CuZn30) Pirinç / Brass	—————
TD 2114.80 RP1	TIRNAKLI DIŞİ FİŞ 6.3 (0.80) =RP1= (Noktasız)	0.80	0.60±0.1	0.35±0.05	(CuZn30) Pirinç / Brass	—————
TD 2114.80 RP2	TIRNAKLI DIŞİ FİŞ 6.3 (0.80) =RP2= (0.28 malzeme)	0.80	0.60±0.1	0.28±0.05	(CuZn30) Pirinç / Brass	—————
TD 2114.80 RPG	TIRNAKLI DIŞİ FİŞ 6.3 (0.80) =RPG=	0.80	0.60±0.1	0.35±0.05	(CuZn30) Pirinç / Brass	Gümüş / Ag (Min 1µ)
TD 2114.80 RPK	TIRNAKLI DIŞİ FİŞ 6.3 (0.80) =RPK=	0.80	0.60±0.1	0.35±0.05	(CuZn30) Pirinç / Brass	Kalay / Sn (3-5µ)
TD 2114.90 RPK	TIRNAKLI DIŞİ FİŞ 6.3 (0.90) =RPK=	0.80	0.70±0.1	0.35±0.05	(CuZn30) Pirinç / Brass	Kalay / Sn (3-5µ)



Kalıp çıkış yönü
Mold output direction

Makara açılım yönü
Reel opening direction



Hatve / Pitch=20.9mm

Ölçek
Scale : 2 / 1

Kablo Kesiti

Wire Section : 1 - 2.50 mm²

Resim üzerinden ölçü almayınız
do not measure on drawing

Takma
Insertion : Max-80 N

Çıkma
Sixth Pull out force : Min-18 N

Tarih / Date	28.06.2011	İmza /Signature	Ölçek /Scale			
Çizen / Desing	M.Yağcı		5 / 1	01	4 Nolu ölçü olan 4.5±0.2 olarak değiştirildi.	05.12.2016
Onay / Approval	S.Gölcük			No	Değişiklik / Revision	Tarih/Date
	Parça Adı: Part Name	TIRNAKLI DIŞİ FİŞ 6.3			Parça Kodu: Part Code	TD 2114